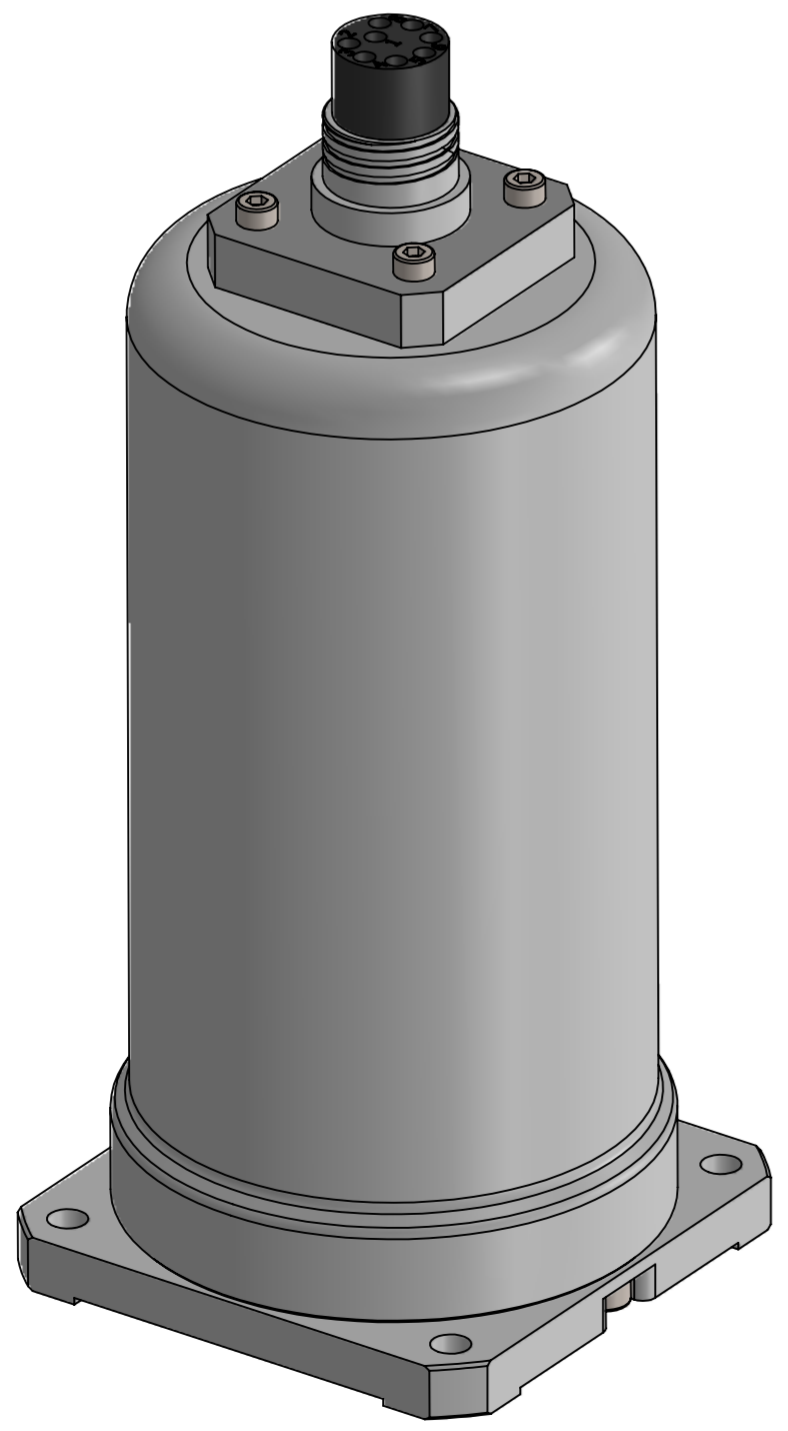
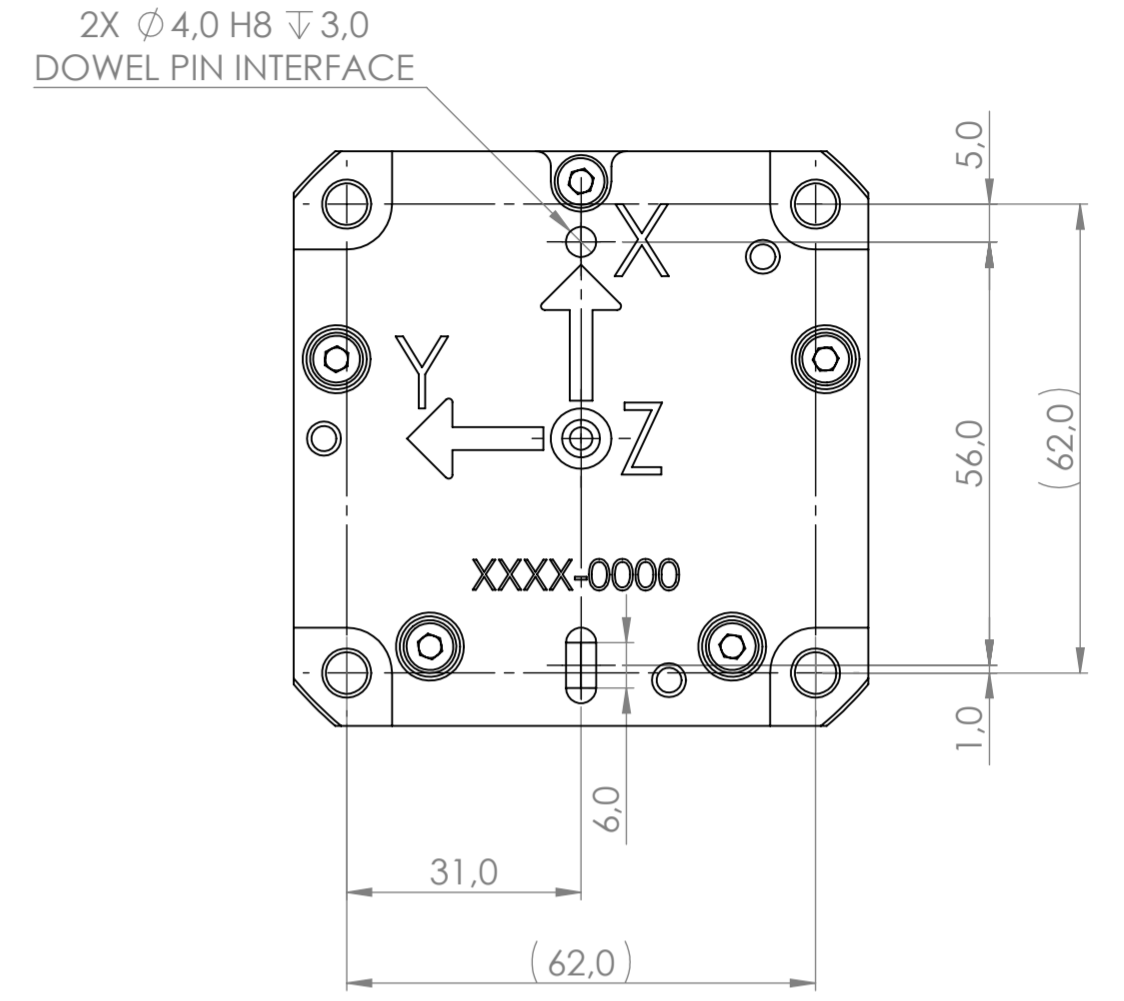
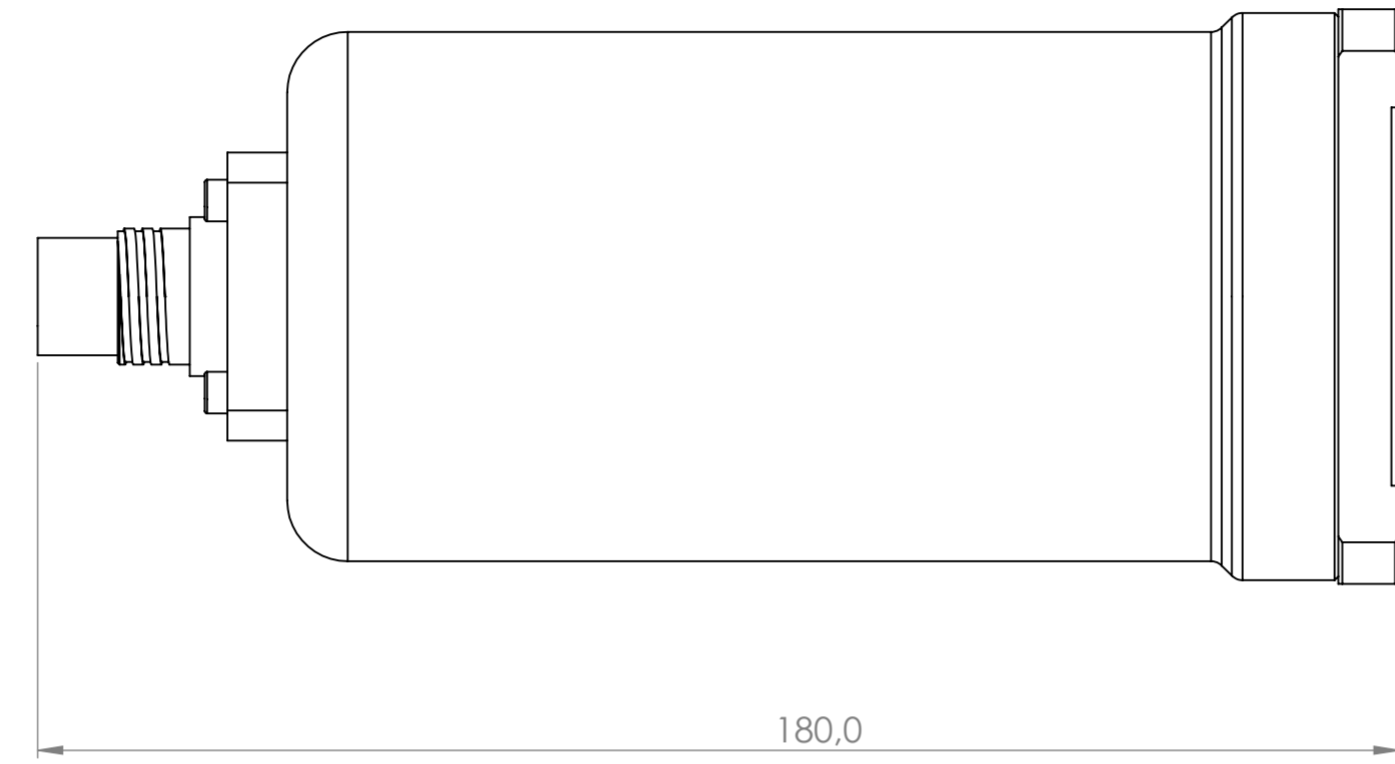
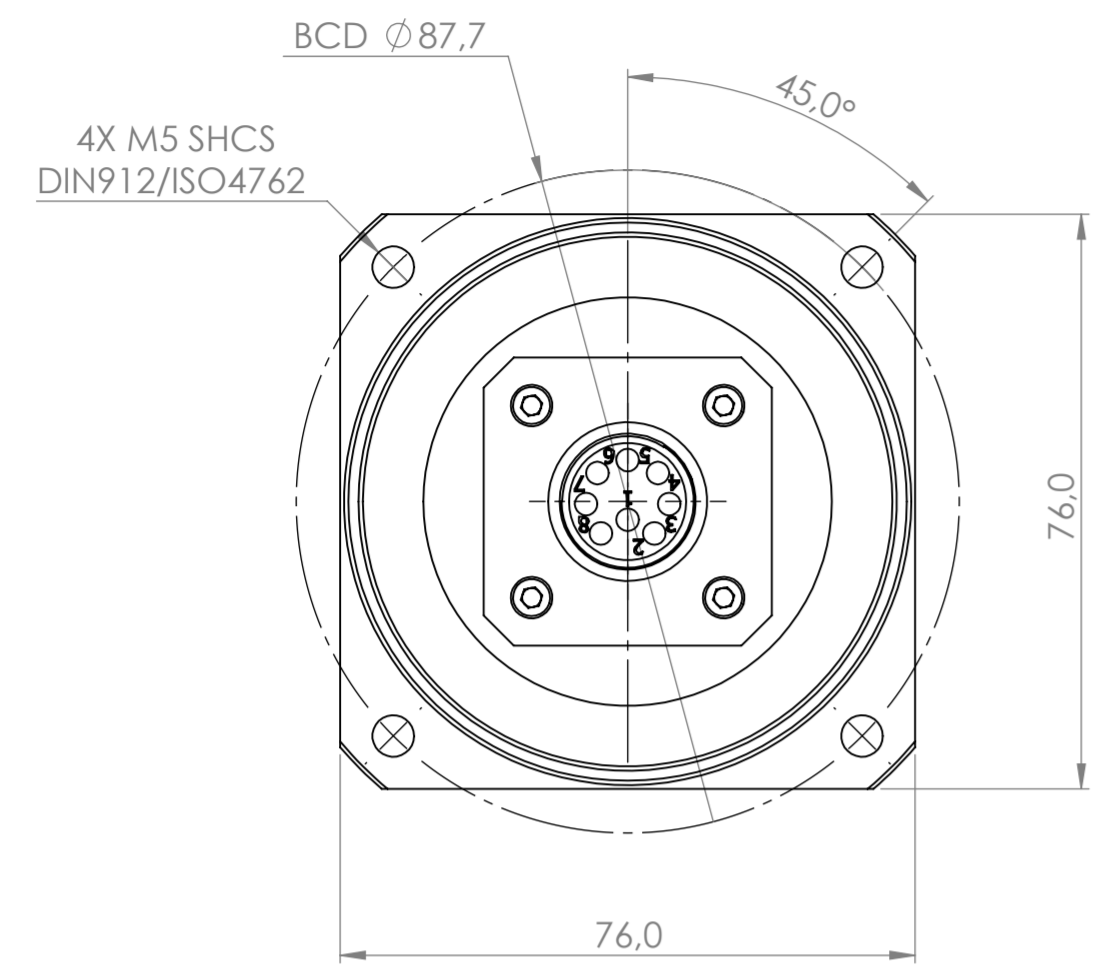


12 11 10 9 8 7 6 5 4 3 2 1

REVISIONS				
ZONE	REV.	DESCRIPTION	DATE	APPROVED
	A	RELEASED FOR INFO	23/10/2020	FD



DO NOT SCALE DRAWING UNLESS OTHERWISE SPECIFIED: DIMENSIONS ARE IN MILLIMETERS			
DRAWN CS	DATE 23/10/2020	THIS DRAWING IS THE PROPERTY OF NORWEGIAN SUBSEA AND MAY NOT BE COPIED OR COMMUNICATED TO A THIRD PARTY OR USED FOR ANY OTHER PURPOSE THAN THAT FOR WHICH IT WAS SUPPLIED WITHOUT THE EXPRESS WRITTEN AUTHORITY OF NORWEGIAN SUBSEA.	
CHECKED CS	DATE 23/10/2020	TITLE:	
APPROVED FD	DATE 23/10/2020	DWG. NO.	
THIRD ANGLE PROJECTION 		REV A	
WEIGHT (Kg):	SCALE:1:1	SHEET 1 OF 1	
		A2	

12 11 10 9 8 7 6 5 4 3 2 1