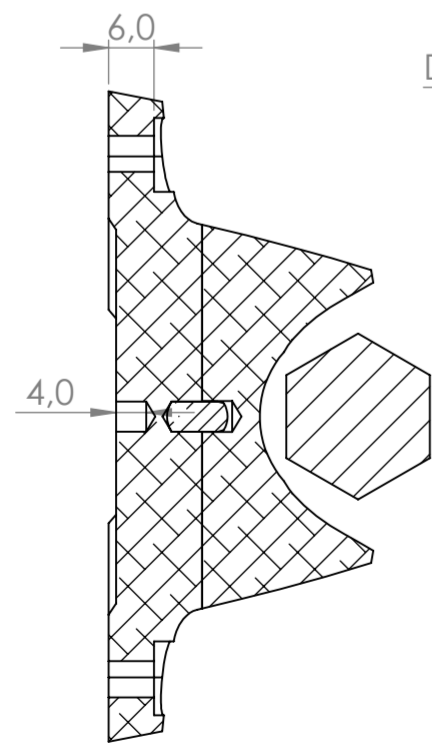
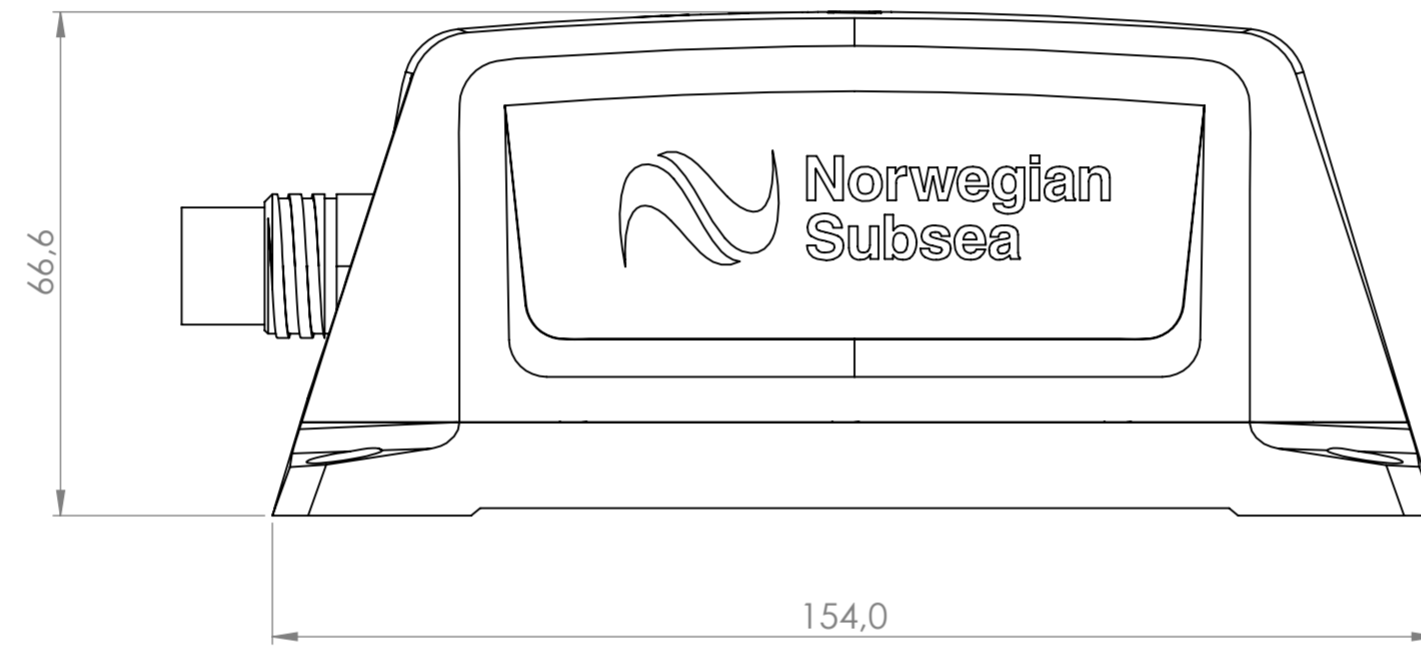
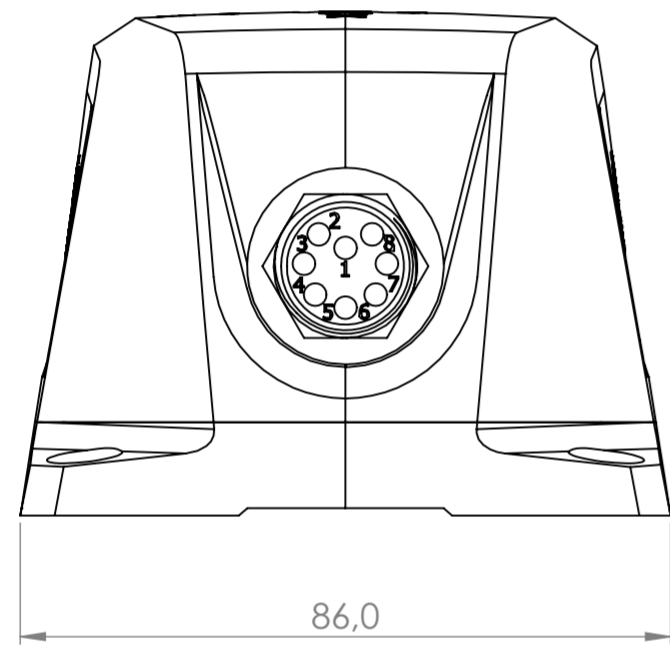
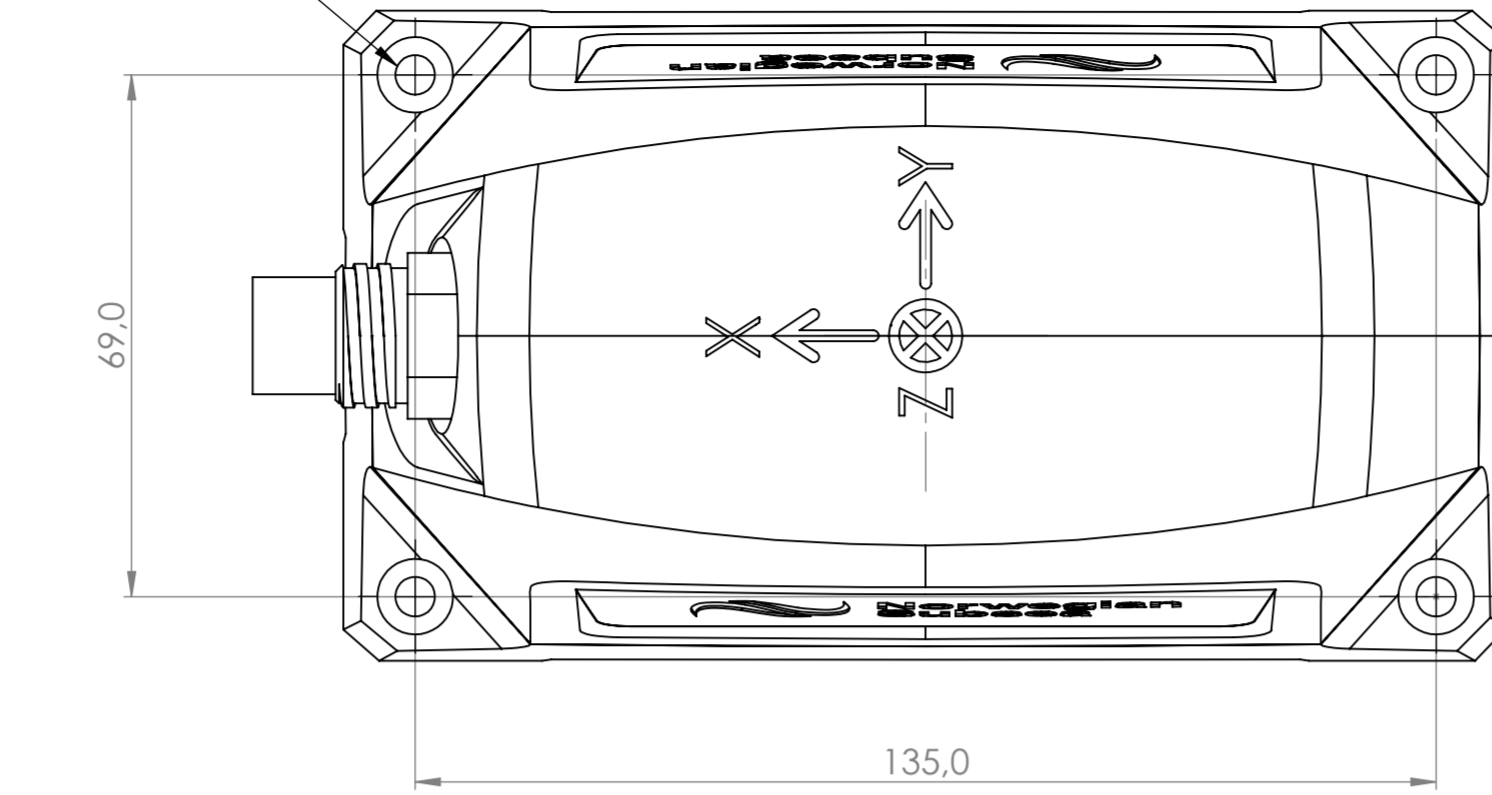
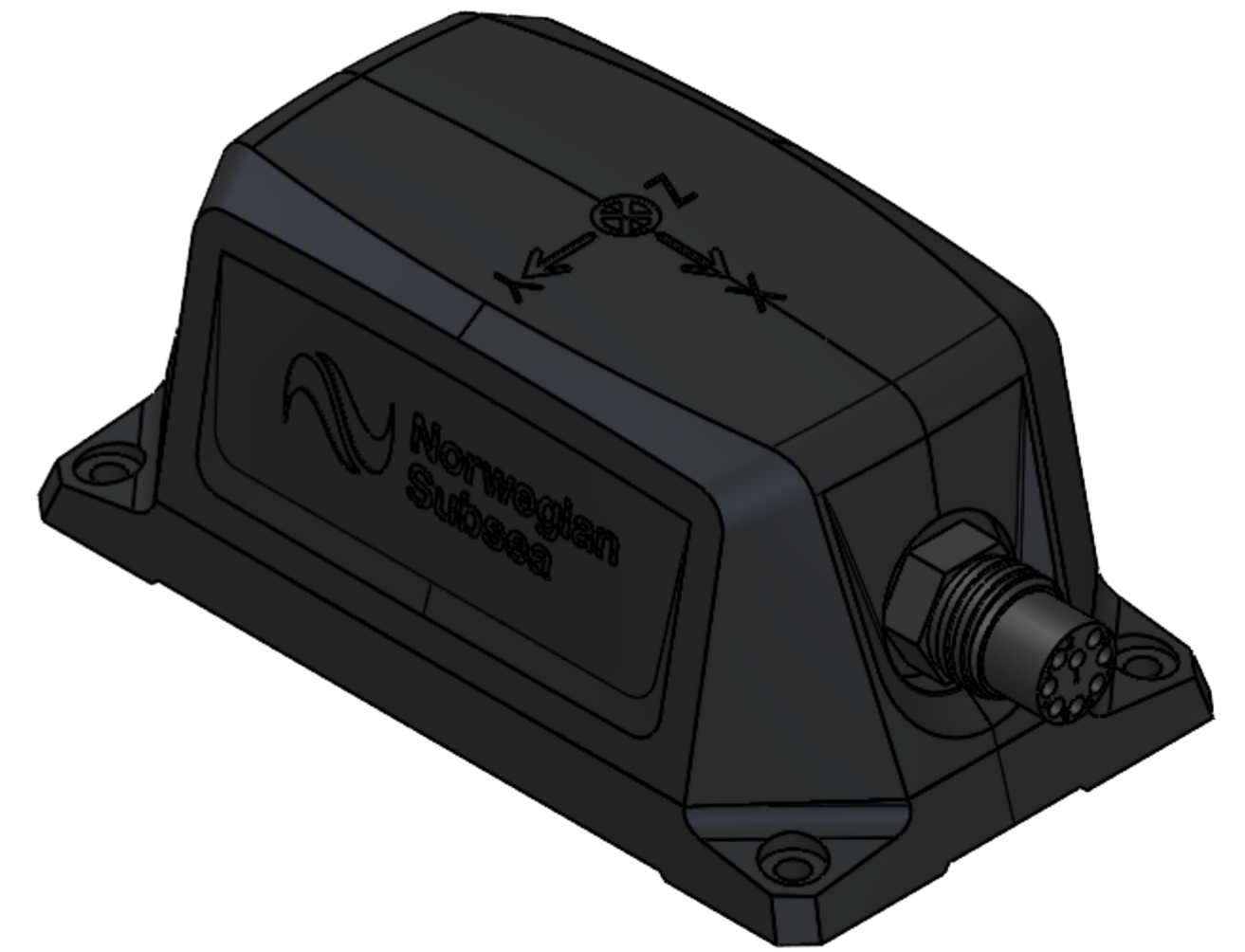
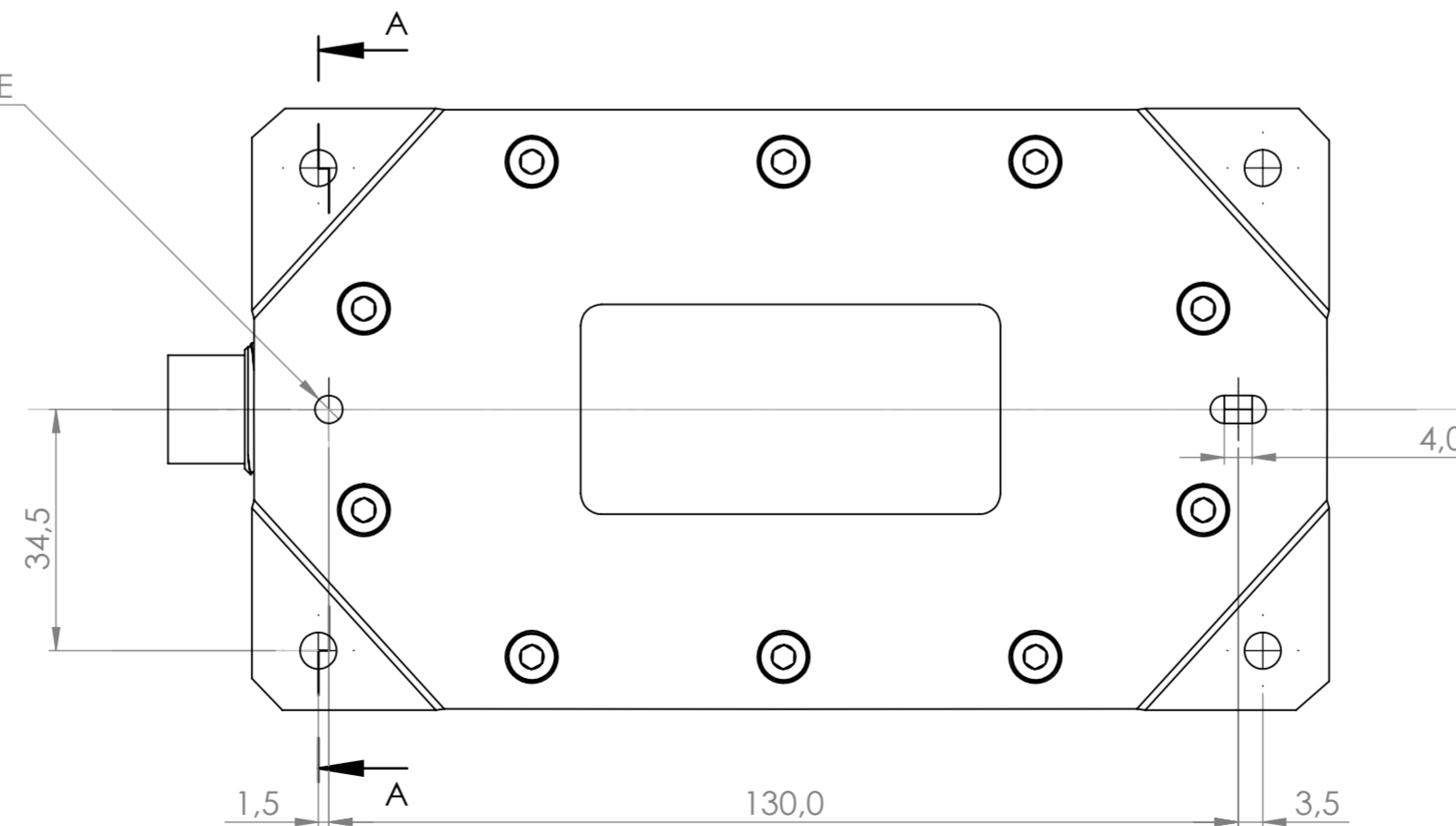


4X M5 SHCS
DIN912/ISO4762


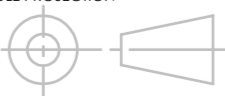


SECTION A-A

2x Ø 4,0 H8
DOWEL PIN INTERFACE



REVISIONS				
ZONE	REV.	DESCRIPTION	DATE	APPROVED
	A	RELEASED FOR INFO	23/10/2020	FD

DO NOT SCALE DRAWING UNLESS OTHERWISE SPECIFIED: DIMENSIONS ARE IN MILLIMETERS		 THIS DRAWING IS THE PROPERTY OF NORWEGIAN SUBSEA AND MAY NOT BE COPIED OR COMMUNICATED TO A THIRD PARTY OR USED FOR ANY OTHER PURPOSE THAN THAT FOR WHICH IT WAS SUPPLIED WITHOUT THE EXPRESS WRITTEN AUTHORITY OF NORWEGIAN SUBSEA.		
DRAWN CS	DATE 23/10/2020	TITLE:		
CHECKED CS	DATE 23/10/2020			
APPROVED FD	DATE 23/10/2020			
MATERIAL:		THIRD ANGLE PROJECTION	DWG. NO.	REV A
WEIGHT (Kg):			SCALE:1:1	A2
		SHEET 1 OF 1		