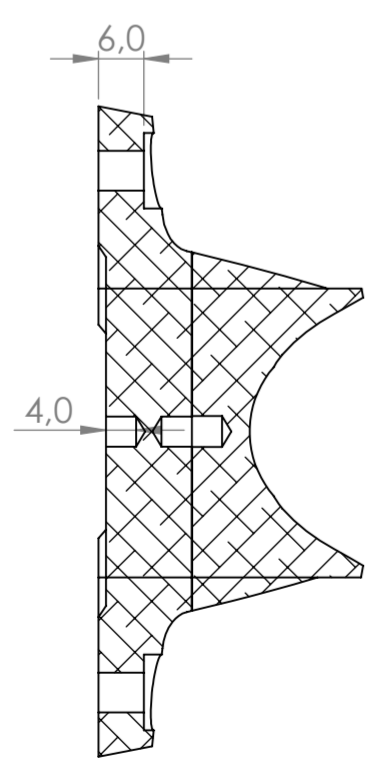
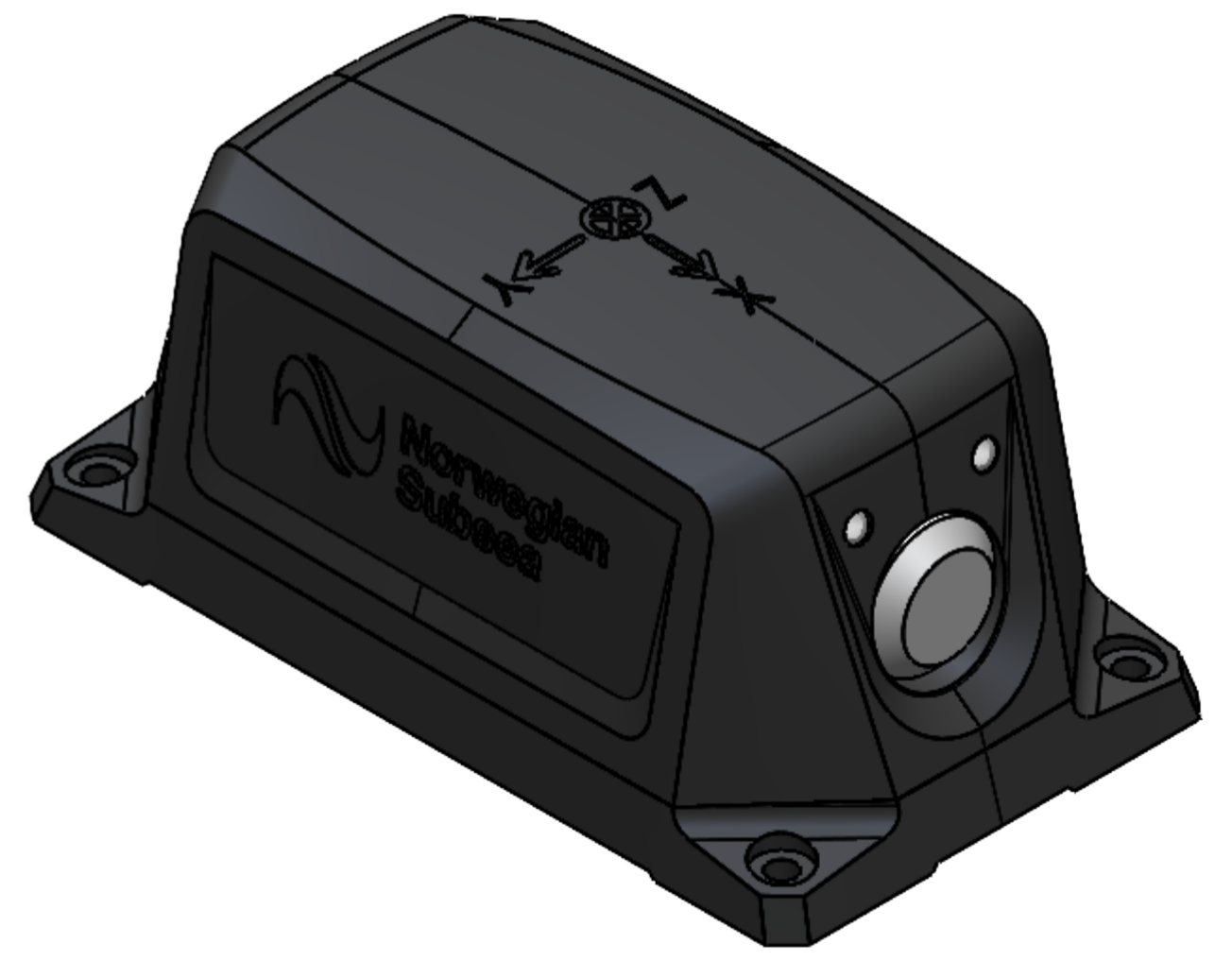
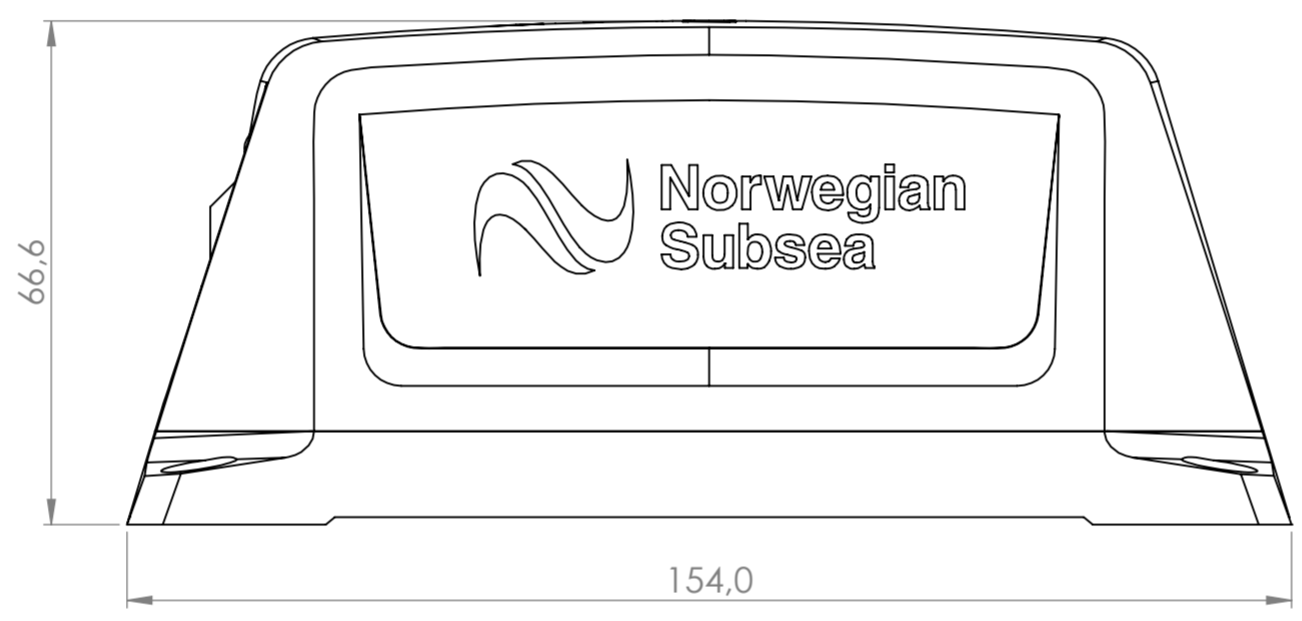
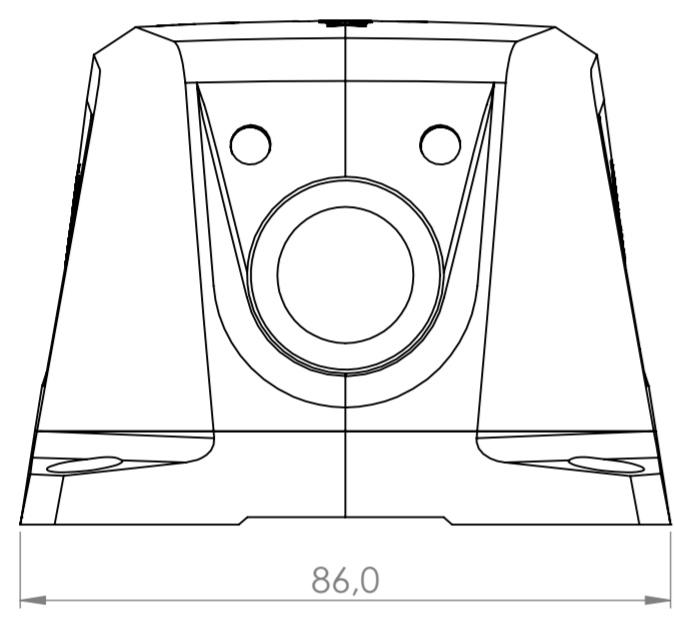
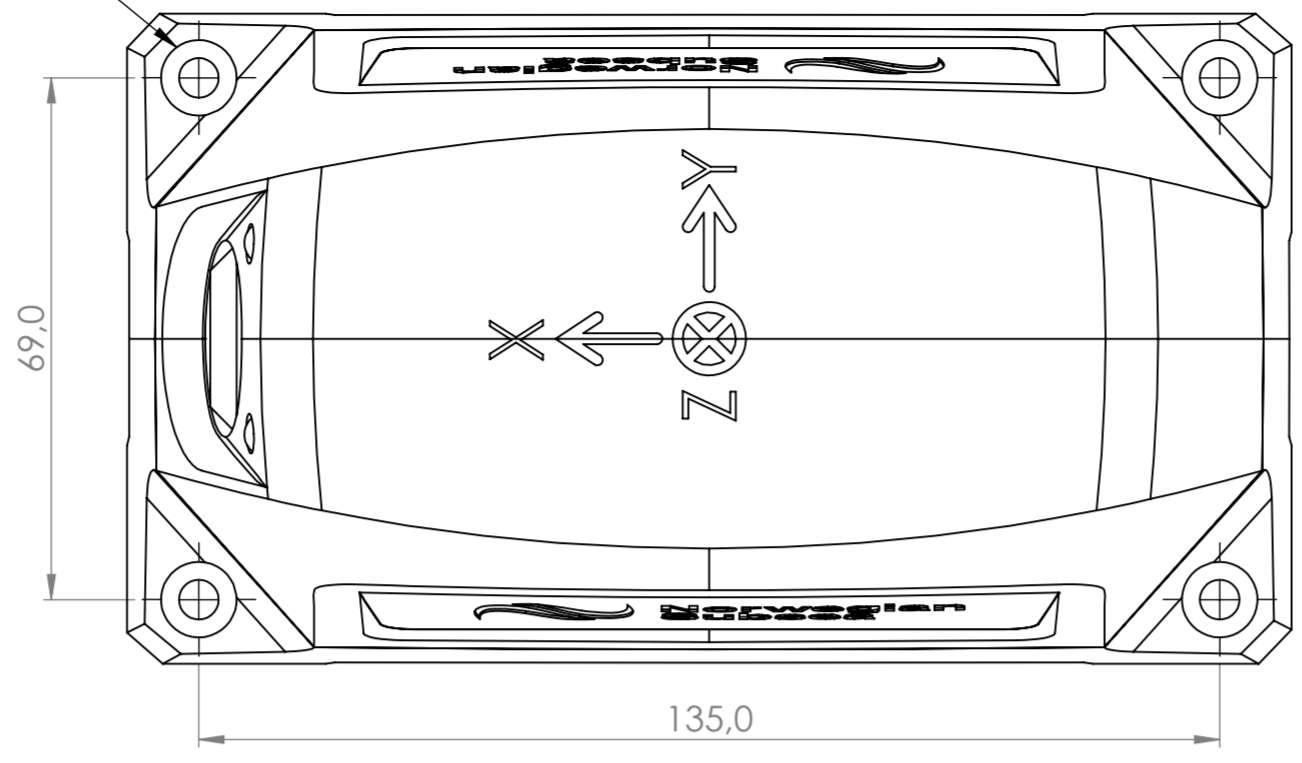


12 11 10 9 8 7 6 5 4 3 2 1

H
G
F
E
D
C
B
A

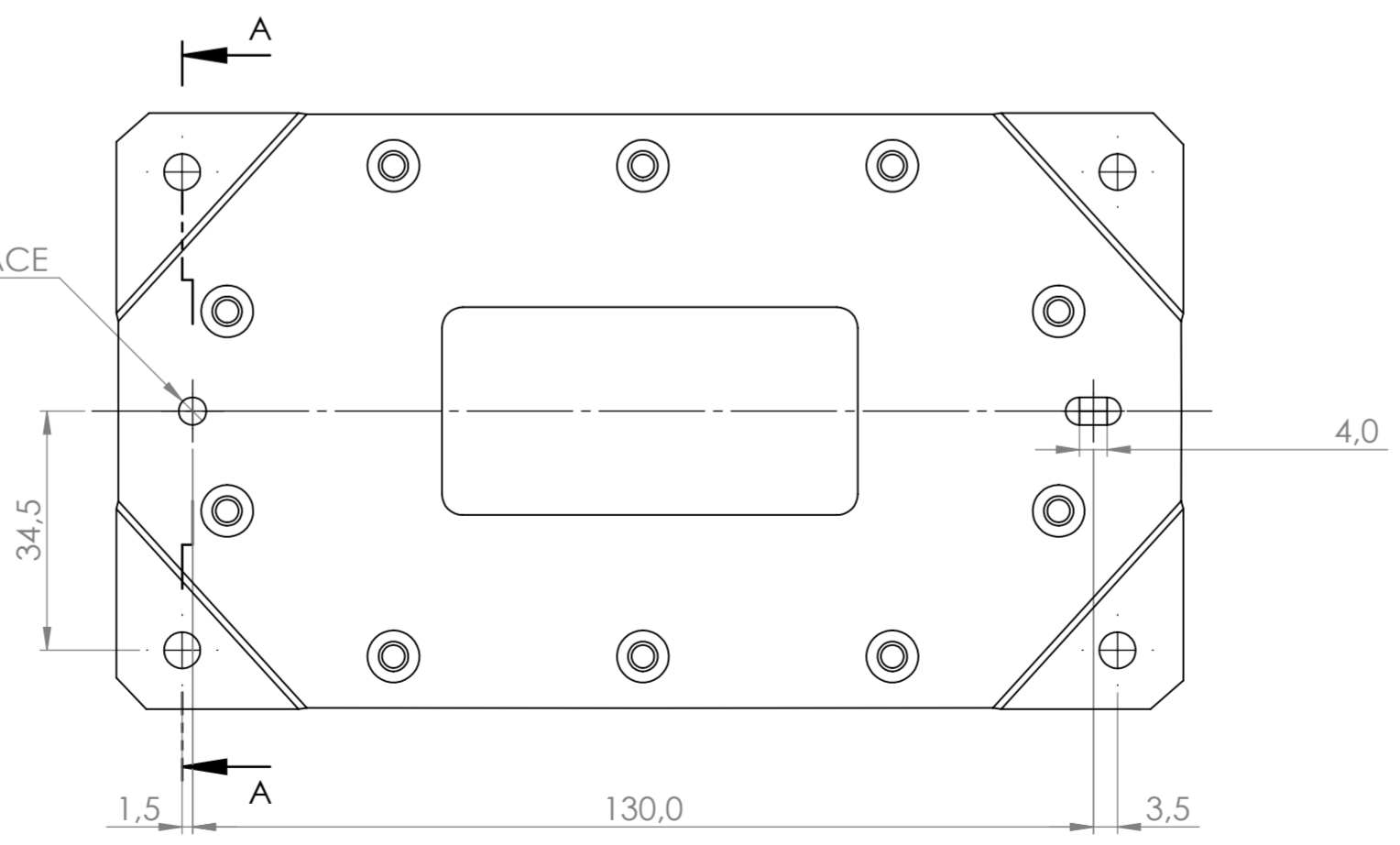
| REVISIONS | | | | |
|-----------|------|-------------------|------------|----------|
| ZONE | REV. | DESCRIPTION | DATE | APPROVED |
| | A | RELEASED FOR INFO | 23/10/2020 | FD |

4X M5 SHCS
DIN912/ISO4762



SECTION A-A

2x Ø4,0 H8
DOWEL PIN INTERFACE



| | | | | |
|--|--------------------|--|--|----------|
| DO NOT SCALE DRAWING UNLESS OTHERWISE SPECIFIED: DIMENSIONS ARE IN MILLIMETERS | | | | |
| DRAWN CS | DATE 23/10/2020 | THIS DRAWING IS THE PROPERTY OF NORWEGIAN SUBSEA AND MAY NOT BE COPIED OR COMMUNICATED TO A THIRD PARTY OR USED FOR ANY OTHER PURPOSE THAN THAT FOR WHICH IT WAS SUPPLIED WITHOUT THE EXPRESS WRITTEN AUTHORITY OF NORWEGIAN SUBSEA. | | |
| CHECKED CS | DATE 23/10/2020 | TITLE: | | |
| APPROVED FD | DATE 23/10/2020 | DWG. NO. | | |
| THIRD ANGLE PROJECTION | | | | REV A |
| WEIGHT (Kg): | SCALE:1:1 | SHEET 1 OF 1 | | A2 |

12 11 10 9 8 7 6 5 4 3 2 1