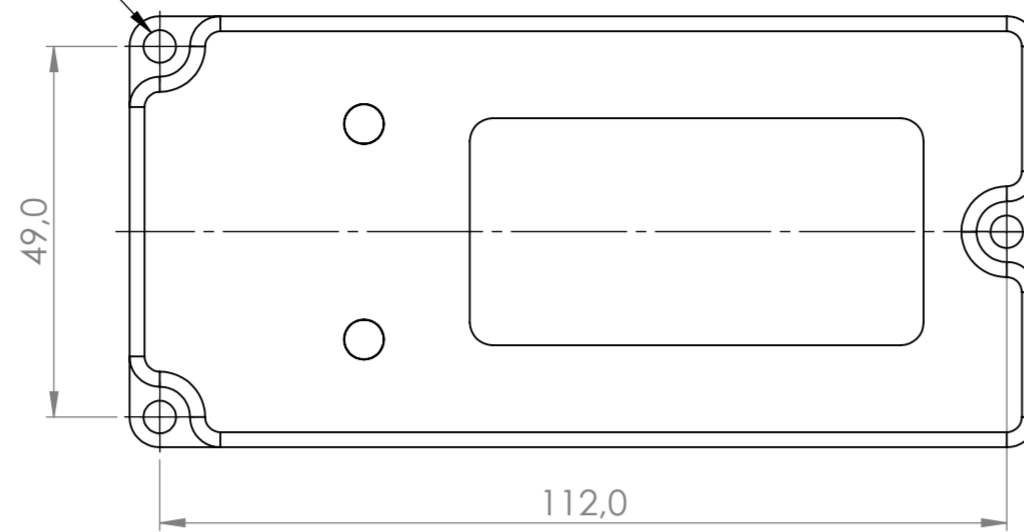
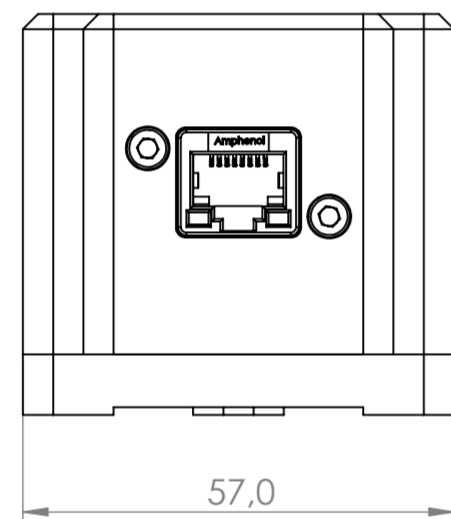


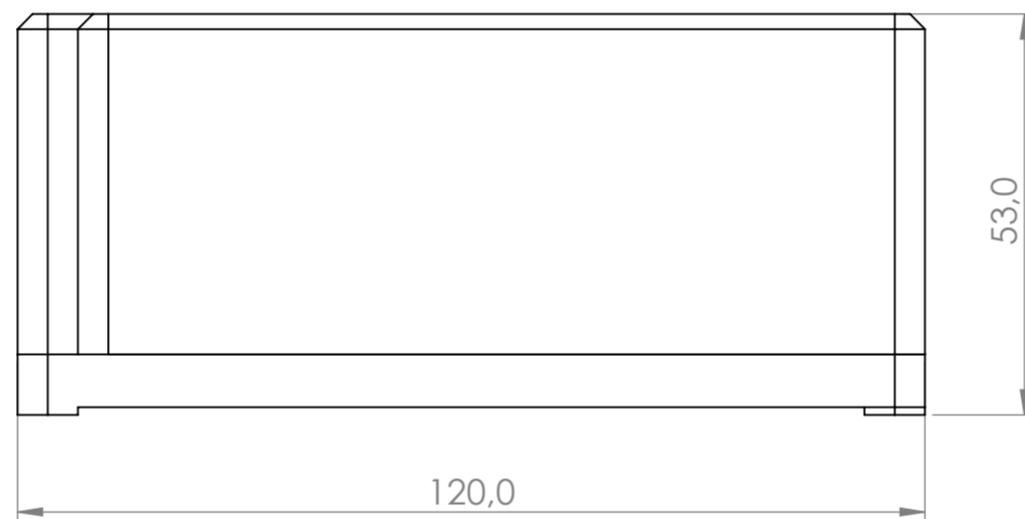
3X M4 SHCS
DIN912/ISO4762



TOP VIEW

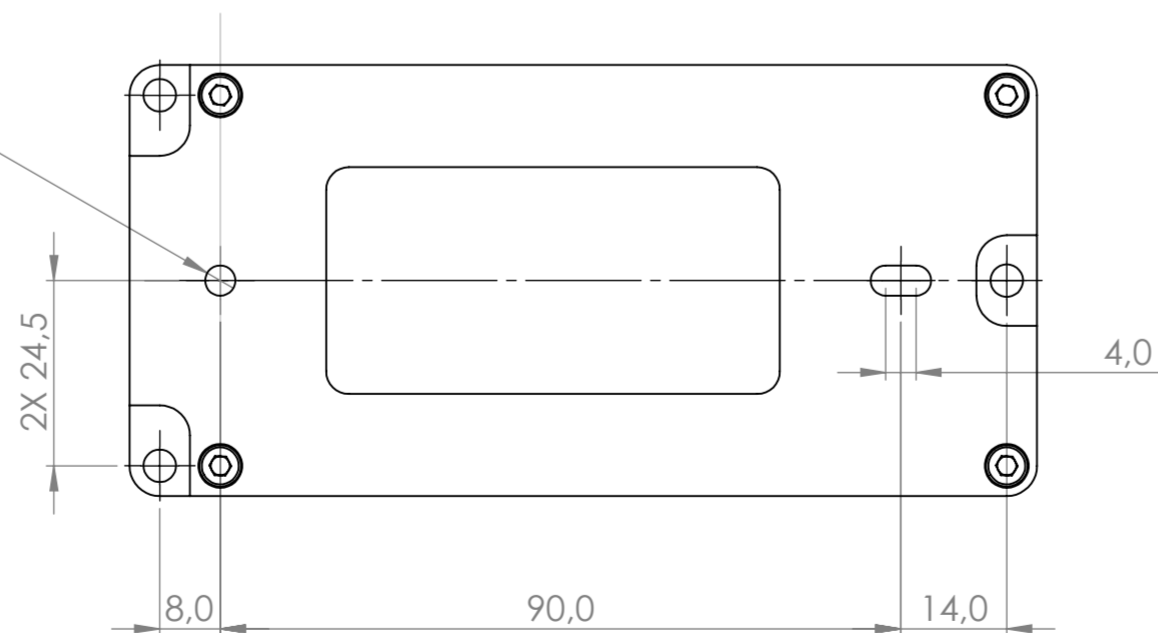


FRONT VIEW



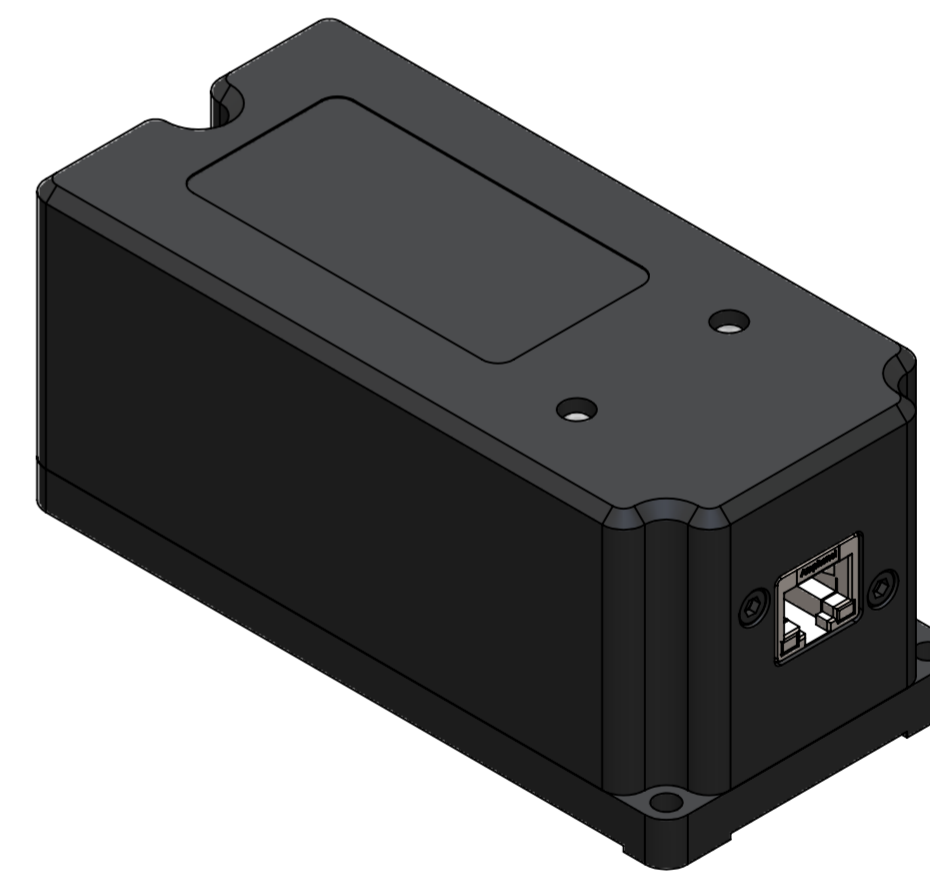
SIDE VIEW


2X Ø4,0 H8 ▽3,9 MAX
DOWEL PIN INTERFACE



BOTTOM VIEW

REVISIONS				
ZONE	REV.	DESCRIPTION	DATE	APPROVED
	A	RELEASED FOR INFO	23/10/2020	FD



DO NOT SCALE DRAWING UNLESS OTHERWISE SPECIFIED: DIMENSIONS ARE IN MILLIMETERS				
DRAWN CS	DATE 23/10/2020	THIS DRAWING IS THE PROPERTY OF NORWEGIAN SUBSEA AND MAY NOT BE COPIED OR COMMUNICATED TO A THIRD PARTY OR USED FOR ANY OTHER PURPOSE THAN THAT FOR WHICH IT WAS SUPPLIED WITHOUT THE EXPRESS WRITTEN AUTHORITY OF NORWEGIAN SUBSEA.		
CHECKED CS	DATE 23/10/2020	TITLE: eMRU-GA		
APPROVED FD	DATE 23/10/2020	DWG NO. eMRU-01-23102021		REV A
THIRD ANGLE PROJECTION		SCALE:1:1		A2
WEGHT (Kg):		SHEET 1 OF 1		